

STAINLESS STEEL ASSECCORIES

RUSTFRI TILBEHØR



**OFFSHORE
Equipment & Services**



OFFSHORE Equipment & Services

STAINLESS STEEL WIRE ROPES - STAINLESS CHAINS - STAINLESS ACCESSORIES - STAINLESS SNATCHBLOCK - STAINLESS
RUSTFRI STÅLWIRER - RUSTFRI KÆDER - RUSTFRI TILBEHØRE - RUSTFRI KASTEBKLOCK - RUSTFRI

INDEX

- 6X36+IWRC - AISI 316
- 6X19M+WSC - AISI 316
- CHAIN - LONG LINK AISI 316
- CHAIN - SHORT LINK AISI 316
- THIMBLE
- WIRE ROPE CLIPS
- DUPLEX WIRE ROPE CLIPS
- D-SHACKLE
- BOW SHACKLE
- EYEBOLT - DIN 580
- EYENUT - DIN 582
- TURNBUCKLE - JAW/JAW
- SNAPHOOK
- SWIVEL
- FLEXIBLE SWIVEL
- ROPE BLOCK W/ SWIVEL-EYE
- ROPE BLOCK W/ SWIVEL-EYE & BECKET

INDHOLDSFORTEGNELSE

- 6X36+IWRC - AISI 316
- 6X19M+WSC - AISI 316
- KÆDE - LANGELEDET AISI 316
- KÆDE - KORTELEDET AISI 316
- KOVS
- WIRELÅS
- DUPLEXWIRELÅS
- D-SJÆKEL
- H-SJÆKEL
- ØJEBOLT - DIN 580
- ØJEMØTRIK - DIN 582
- VANTSKRUE - JAW/JAW
- KARABINHAGE
- SVIRVEL
- FLEKSIBEL SVIRVEL
- KASTEBLOK M. SVIRVELØJE
- KASTEBLOK M. SVIRVELØJE & HUNSVOT



OFFSHORE Equipment & Services

STAINLESS STEEL WIRE ROPES - STAINLESS CHAINS - STAINLESS ACCESSORIES - STAINLESS SNATCHBLOCK - STAINLESS
RUSTFRI STÅLWIRER - RUSTFRI KÆDER - RUSTFRI TILBEHØRE - RUSTFRI KASTEBKLOK - RUSTFRI

6X36+IWRC AISI 316

- Stainless
- Steel Core

Art. No.	Diameter - mm	kg/mtr	MBL (kN) - 1570 N/mm ²
01 550001	16	1,047	143,1
01 550002	18	1,325	181,1
01 550003	20	1,636	223,6
01 550004	22	1,98	270,5
01 550005	24	2,361	321,9
01 550006	26	2,765	377,8

6X36+IWRC AISI 316

- Rustfri
- Stålhjerte

6X19M+WSC AISI 316

- Stainless
- Steel Core

Art. No.	Diameter - mm	kg/100 mtr.	MBL (kN) - 1570 N/mm ²
01 560001	2	1,5	2,3
01 560002	3	3,4	5,1
01 560003	4	6,1	9,1
01 560004	5	9,5	14,2
01 560005	6	13,7	20,5
01 560006	7	18,7	27,9
01 560007	8	24,4	33,4
01 560008	10	38,1	52,5
01 560009	12	54,9	75,6
01 560010	14	74,7	102,2
01 560011	16	97,5	133,4

6X19M+WSC AISI 316

- Rustfri
- Stålhjerte

CHAIN - LONG LINKED AISI 316

- DIN 763
- Stainless steel

Art. No.	Size - mm	Dim. D - mm	Dim. C - mm	Dim. B - mm	MBL - Ton	Vægt - kg/100 mtr.
08 140001	2	2	22	8	0,13	6,10
08 140002	3	3	26	12	0,28	15,0
08 140003	4	4	32	16	0,60	27,0
08 140004	5	5	36	20	1,00	43,0
08 140005	6	6	42	24	1,40	63,0
08 140006	8	8	54	32	2,50	110,0
08 140007	10	10	66	40	4,00	175,0
08 140008	13	13	82	50	6,40	295,0

KÆDE - LANGLEDDET AISI 316

- DIN 763
- Rustfristål

CHAIN - SHORT LINKED AISI 316

- DIN 766
- Stainless steel

Art. No.	Size - mm	Dim. D - mm	Dim. C - mm	Dim. B - mm	MBL - Ton	Vægt - kg/100 mtr.
08 150001	2	2	12	8	0,13	4,85
08 150002	3	3	16	11	0,28	16,5
08 150003	4	4	16	14	0,60	32,0
08 150004	5	5	18,5	17	1,00	50,0
08 150008	6	6	18,5	20	1,40	75,0
08 150006	8	8	24	26	2,50	135
08 150007	10	10	28	34	4,00	225
08 150008	13	13	36	44	6,40	380

KÆDE - KORTLEDDET AISI 316

- DIN 766
- Rustfristål



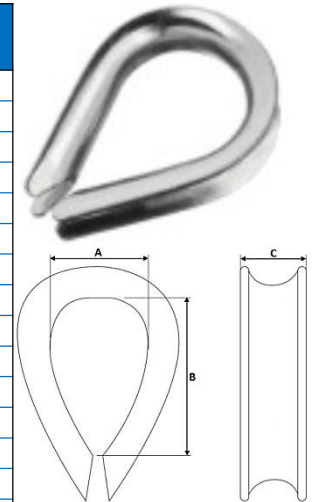
OFFSHORE Equipment & Services

STAINLESS STEEL WIRE ROPES - STAINLESS CHAINS - STAINLESS ACCESSORIES - STAINLESS SNATCHBLOCK - STAINLESS
RUSTFRI STÅLWIRER - RUSTFRI KÆDER - RUSTFRI TILBEHØRE - RUSTFRI KASTEBKLOK - RUSTFRI

THIMBLE

- Stainless steel

Art. No.	Size mm	A mm	B mm	C mm	Weight kg
08 010001	3	9	17	3	0,002
08 010002	4	10	18	4	0,003
08 010003	5	11	20	5	0,005
08 010004	6	13	21	6	0,007
08 010005	7	15	27	7	0,012
08 010006	8	19	33	8	0,015
08 010007	9	22	38	9	0,027
08 010008	10	24	41	10	0,029
08 010009	12	27	48	12	0,052
08 010010	14	29	53	14	0,055
08 010011	16	32	57	16	0,11
08 010012	18	40	67	18	0,12
08 010013	20	45	75	20	0,215
08 010014	22	52	84	22	0,27
08 010015	26	28	115	33	0,62
08 010016	28	30	135	36	0,76
08 010017	32	34	160	41	1,00



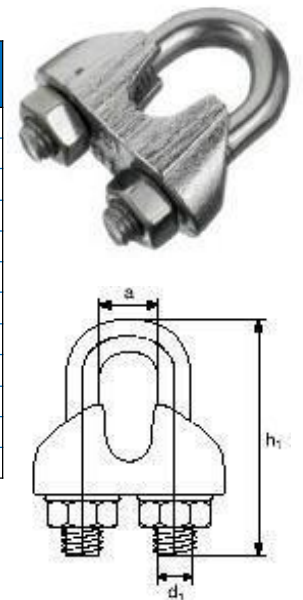
KOVS

- Rustfri stål

Wire Rope Clips

- Stainless steel

Art. No.	Size mm	Dim. H mm	Dim. A mm	Dim. D mm	Weight kg/100 pcs.
08 020001	2	16,0	8,0	3,0	0,7
08 020002	3	18,5	9,0	4,0	1,4
08 020003	4	19,0	9,0	4,0	1,45
08 020004	5	23,0	11,0	5,0	1,5
08 020005	6	28,0	13,0	5,0	2,1
08 020006	8	34,0	16,0	6,0	4,1
08 020007	10	45,0	21,0	8,0	6,8
08 020008	12	51,0	24,0	10,0	13,0
08 020009	16	63,0	32,0	12,0	21,0
08 020010	20	71,0	41,0	12,0	28,0
08 020011	22	81,0	46,0	14,0	40,0
08 020012	26	89,0	54,0	14,0	55,0



Wirelås

- Rustfri stål



OFFSHORE Equipment & Services

STAINLESS STEEL WIRE ROPES - STAINLESS CHAINS - STAINLESS ACCESSORIES - STAINLESS SNATCHBLOCK - STAINLESS
RUSTFRI STÅLWIRER - RUSTFRI KÆDER - RUSTFRI TILBEHØRE - RUSTFRI KASTEBKLOK - RUSTFRI

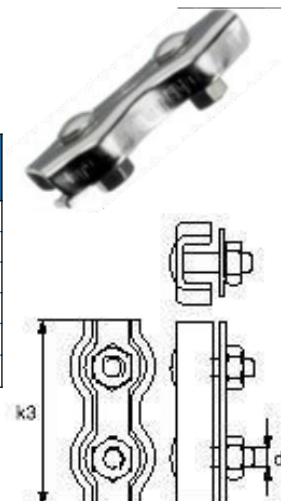
DUPLEX WIRE ROPE CLIPS

- Stainless steel

Art No.	Size mm	Dim. K3 mm	Dim. D mm	Weight kg/100 pcs.
08 030001	2	37	4,0	1,0
08 030002	3	40	4,0	1,5
08 030004	4	45	5,0	2,5
08 030005	5	52	6,0	3,63
08 030006	6	60	6,0	5,2
08 030007	8	72	8,0	11,0

DUPLEX WIRELÅS

- Rustfri stål



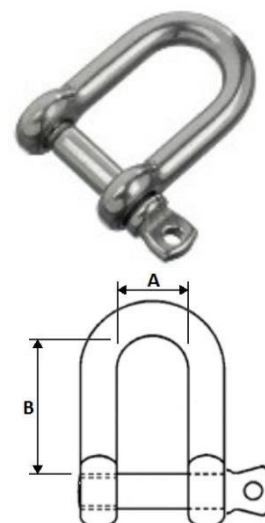
D-SHACKLE

- Stainless steel

Art. No.	Size mm	A mm	B mm	Break load ton	Weight kg
08 040001	4	8	16	0,7	0,008
08 040002	5	10	20	1	0,014
08 040003	6	12	24	1,5	0,027
08 040004	8	16	32	3	0,064
08 040005	10	20	40	4,5	0,12
08 040006	12	24	48	7	0,21
08 040007	16	32	64	10	0,5
08 040008	20	40	80	16	0,88
08 040009	22	44	88	20	1,4
08 040010	24	48	96	24	2,08

D-SJÆKEL

- Rustfri stål



BOW SHACKLE

- Stainless steel

Art No.	Size mm	Gap mm	Pin Ø mm	Breaking Load ca. ton	Weight kg/100 pcs.
08 050001	4	8	4	0,75	0,70
08 050002	5	10	5	1,20	2,00
08 050003	6	12	6	1,75	3,00
08 050004	8	16	8	2,80	7,00
08 050005	10	20	10	4,20	12,0
08 050006	12	24	12	7,00	25,0
08 050007	16	32	16	13,25	52,0
08 050008	20	40	20	20,25	93,0

H-SJÆKEL

- Rustfri stål





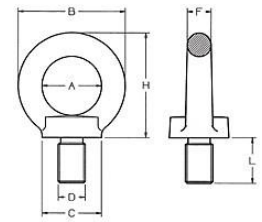
OFFSHORE Equipment & Services

STAINLESS STEEL WIRE ROPES - STAINLESS CHAINS - STAINLESS ACCESSORIES - STAINLESS SNATCHBLOCK - STAINLESS
RUSTFRI STÅLWIRER - RUSTFRI KÆDER - RUSTFRI TILBEHØRE - RUSTFRI KASTEBKLOCK - RUSTFRI

EYEBOLT DIN 580

- Stainless steel

Art. No.	D x L mm	A mm	B mm	C mm	F mm	H mm	Weight kg
08 060001	M6x13	16	28	17	6	31	0,05
08 060002	M8x13	20	36	20	8	36	0,06
08 060003	M10x17	25	45	25	10	45	0,11
08 060004	M12x20,5	30	54	30	12	53	0,18
08 060005	M16x27	35	63	35	14	62	0,28
08 060006	M20x30	40	72	40	16	71	0,45
08 060007	M24x36	50	90	50	20	90	0,87



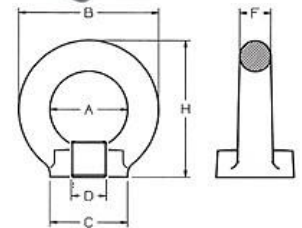
ØJEBOLT DIN 580

- Rustfri stål

EYENUT DIN 582

- Stainless steel

Art. No.	D mm	A mm	B mm	C mm	F mm	H mm	Weight kg
08 070001	M6	16	28	17	6	31	0,048
08 070002	M8	20	36	20	8	36	0,05
08 070003	M10	25	45	25	10	45	0,09
08 070004	M12	30	54	30	12	53	0,16
08 070005	M16	35	63	34	14	62	0,24
08 070006	M20	40	72	40	16	71	0,36
08 070007	M24	50	90	50	20	90	0,72



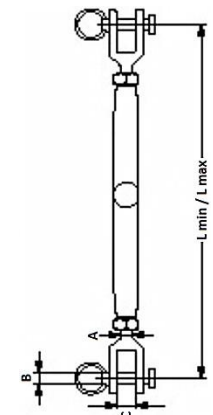
ØJEMØTRIK DIN 582

- Rustfri stål

TURNBUCKLE JAW/JAW

- Stainless steel
- Supplied with lock rings

Art. No.	Size mm	Dimension in mm					Break load ton	Weight kg
		L min	L max	A	B	C		
08 080001	5	130	190	5	5	7	0,5	0,051
08 080002	6	140	210	6	6,5	7	0,9	0,09
08 080003	8	165	240	8	8	8	1,5	0,14
08 080004	10	190	270	10	9,5	10	2,3	0,24
08 080005	12	245	360	12	12,7	14	3	0,525
08 080006	14	260	385	14	12,7	14	4,5	0,635
08 080007	16	310	450	16	16	16	5,5	1
08 080008	20	360	530	20	19	20	6,2	1,98



VANTSKRUE GAFFEL/GAFFEL

- Rustfri stål
- Leveret med låseringe



OFFSHORE Equipment & Services

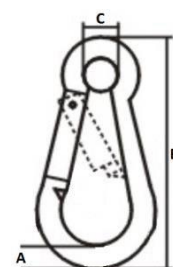
STAINLESS STEEL WIRE ROPES - STAINLESS CHAINS - STAINLESS ACCESSORIES - STAINLESS SNATCHBLOCK - STAINLESS

RUSTFRI STÅLWIRER - RUSTFRI KÆDER - RUSTFRI TILBEHØRE - RUSTFRI KASTEBKLOK - RUSTFRI

SNAPHOOK

- Stainless Steel

Art. No.	Size mm	A mm	B mm	C mm	Weight kg
08 090001	4x40	4	40	6	0,0135
08 090002	5x50	5	50	8	0,016
08 090003	6x60	6	60	9	0,027
08 090004	7x70	7	70	11	0,044
08 090005	8x80	8	80	12	0,065
08 090006	9x90	9	90	13	0,09
08 090007	10x100	10	100	15	0,127
08 090008	11x120	11	120	18	0,18
08 090009	12x140	12	140	20	0,26



KARABINHAGE

- Rustfri stål

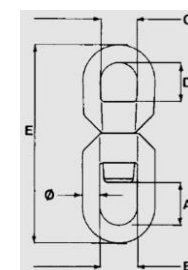
SWIVEL

- Stainless Steel
- Safety Factor = 5:1

Art. No.	Size \varnothing - mm	SWL - ton	A	B	C	D	E	Weight -kg
08 100001	6	0,27	14	14	14	14	64	0,05
08 100002	8	0,50	19	19	19	19	93	0,14
08 100003	10	1,10	30	28	20	20	110	0,23
08 100004	13	1,60	29	28	27	30	140	0,36
08 100005	16	3,20	43	38	35	47	180	0,89
08 100006	19	4,70	45	39	38	40	205	1,80
08 100007	22	6,30	45	40	40	42	222	2,25
08 100008	25	8,30	52	50	42	52	278	4,10
08 100009	32	12,0	60	50	50	98	350	8,15
08 100010	38	18,0	72	58	58	112	390	13,0

SVIRVEL

- Rustfri Stål
- Sikkerhedsfaktor = 5:1



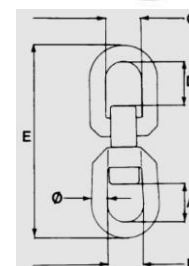
FLEXIBLE SWIVEL

- Stainless Steel
- Safety Factor = 5:1

Art. No.	Size \varnothing - mm	SWL - ton	A	B	C	D	E	Weight - kg
08 110001	13	1,60	30	28	28	34	160	0,56
08 110002	16	3,20	41	38	37	48	200	1,20
08 110003	19	4,70	44	40	40	54	235	2,00
08 110004	22	6,30	44	40	40	55	255	2,90
08 110005	25	8,30	55	50	45	70	320	4,70
08 110006	32	12,0	55	55	54	93	360	9,20
08 110007	38	18,0	62	58	60	110	410	14,6
08 110008	45	28,0	75	70	70	115	515	24,0

FLEKSIBEL SVIRVEL

- Rustfri Stål
- Sikkerhedsfaktor = 5:1





OFFSHORE Equipment & Services

STAINLESS STEEL WIRE ROPES - STAINLESS CHAINS - STAINLESS ACCESSORIES - STAINLESS SNATCHBLOCK - STAINLESS
RUSTFRI STÅLWIRER - RUSTFRI KÆDER - RUSTFRI TILBEHØRE - RUSTFRI KASTEBKLOK - RUSTFRI

ROPE BLOCK w/ SWIVEL-EYE

- Stainless Steel
- DIN 304

Art. No.	MBL - ton	Fits Rope dia. - mm	No. Sheaves	Sheave Ø - mm	Weight - kg
08 120001	-	6	1	15	0,060
08 120002	-	8	1	20	0,075
08 120003	2,0	10	1	25	0,125
08 120004	2,3	12	1	32	0,176
08 120005	3,4	14	1	50	0,400
08 120006	2,0	10	2	25	0,185
08 120007	2,3	12	2	32	0,255
08 120008	3,4	14	2	50	0,620

KASTEBLOK m. SVIRVELØJE

- Rustfri Stål
- DIN 304



ROPE BLOCK w/ SWIVEL-EYE

- Stainless Steel
- With Becket
- DIN 304

Art. No.	MBL - ton	Fits Rope Dia. - mm	No. Sheaves	Sheave Ø - mm	Weight - kg
08 130001	2,0	10	1	25	0,125
08 130002	2,3	12	1	32	0,176
08 130003	3,4	14	1	50	0,400
08 130004	2,0	10	2	25	0,210
08 130005	2,3	12	2	32	0,290
08 130006	3,4	14	2	50	0,960

KASTEBLOK m. SVIRVELØJE

- Rustfri Stål
- Med Hunsvot
- DIN 304

